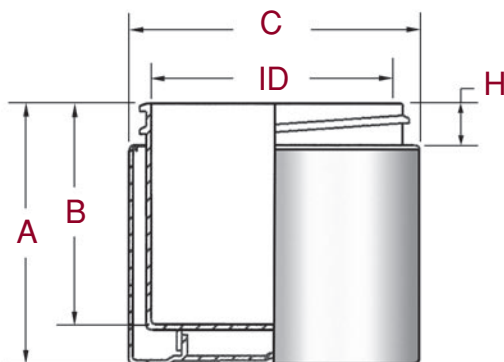


IntraPac Plastic Jars

Straight Based Textured Double Wall Jars



IntraPac Straight Based Textured Double Wall Jars are offered in the sizes as indicated in the chart. Please refer to both the drawing and chart for specific dimensions for each size.

In Mold Frosted Straight Based Double Wall Jars

Size	Neck	Material Outer/Inner	Gram Wt	OFC	A	B	C	ID	H	*Deco Area	Pcs/Carton
1/2 oz	48mm	PP/PP	13.0+/-1.5gr.	19+/-3cc	1.258+/- .015	.795+/- .015	1.260+/- .020	1.370+/- .020	.408+/- .015	.50 x 6.00"	603
1/2 oz	48mm	PS/PP	13.6+/-1.5gr.	19+/-3c	1.260+/- .020	.795+/- .015	1.260+/- .020	1.370+/- .020	.408+/- .015	.50 x 6.00"	603
1 oz	53mm	PP/PP	17.5+/-1.5gr.	55+/-3cc	1.580+/- .015	1.200+/- .020	2.200+/- .015	1.855+/- .015	.408+/- .015	.81 x 6.62"	660
1 oz	53mm	PS/PP	18.5+/-1.5gr.	55+/-3cc	1.590+/- .015	1.200+/- .020	2.200+/- .015	1.855+/- .015	.408+/- .015	.88 x 6.87"	660
2 oz	58mm	PP/PP	21.5+/-2.0gr.	75+/-4cc	1.930+/- .020	1.520+/- .020	2.335+/- .015	1.970+/- .020	.408+/- .015	1.12 x 7.06"	288
2 oz	58mm	PS/PP	24.9+/-1.5gr.	75+/-4cc	1.950+/- .020	1.520+/- .020	2.350+/- .015	1.970+/- .020	.408+/- .015	1.12 x 7.18"	288
3 oz	63mm	PP/PP	30.1+/-1.5gr.	114+/-5cc	2.230+/- .020	1.870+/- .020	2.600+/- .020	2.223+/- .015	.408+/- .015	1.43 x 8.00"	210
3 oz	63mm	PS/PP	30.8+/-1.5gr.	114+/-5cc	2.236+/- .015	1.870+/- .020	2.600+/- .015	2.223+/- .015	.408+/- .015	1.43 x 8.00"	210
4 oz	70mm	PP/PP	34.6+/-1.5gr.	141+/-5cc	2.400+/- .015	1.967+/- .015	2.908+/- .015	2.461+/- .015	.408+/- .015	1.59 x 2.17"	165
4 oz	70mm	PS/PP	35.0+/-1.5gr.	141+/-5cc	2.410+/- .020	1.967+/- .015	2.910+/- .020	2.461+/- .015	.408+/- .015	1.59 x 2.17"	165
6 oz	75mm	PP/PP	44.2+/-3.0gr.	190+/-6cc	2.914+/- .015	2.280+/- .020	3.085+/- .015	2.700+/- .015	.408+/- .015	2.09 x 9.43"	180
6 oz	75mm	PS/PP	n/a	n/a	n/a	n/a	n/a	n/a	n/a	n/a	n/a
8 oz	89mm	PP/PP	55.0+/-3.0gr.	282+/-10cc	2.650+/- .020	2.190+/- .020	3.650+/- .020	3.220+/- .020	.515+/- .015	1.69 x 11.30"	120
8 oz	89mm	PS/PP	56.0+/-2.0gr.	280+/-7cc	2.645+/- .015	2.190+/- .020	3.629+/- .015	3.215+/- .015	.535+/- .015	1.69 x 11.00"	120

* Please contact us on artwork layout.



IntraPac reserves the right to change or modify the design of its products without any obligation to provide notification of change or intent to change.

For more information visit us at www.intrapacgroup.com