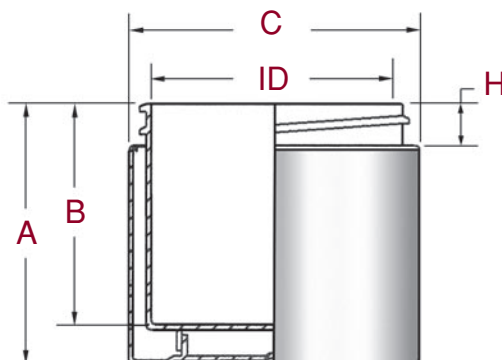


IntraPac Plastic Jars

Straight Based Double Wall Jars



IntraPac Straight Based Double Wall Jars are offered in the sizes as indicated in the chart. Please refer to both the drawing and chart for specific dimensions for each size.

Straight Based Double Wall Jars

Size	Neck	Material Outer/Inner	Gram Wt	OFC	A	B	C	ID	H	*Deco Area	Pcs/Carton
1/8 oz	28mm	PP/PP	3.9+/-1.0gr.	5+/-2cc	.918+/-0.015	.532+/-0.015	1.229+/-0.001	.880+/-0.015	.400+/-0.015	n/a	2496
1/8 oz	28mm	PS/PP	4.7+/-1.0gr.	5+/-2cc	.918+/-0.015	.532+/-0.015	1.229+/-0.001	.880+/-0.015	.400+/-0.015	n/a	2496
1/4 oz	33mm	PP/PP	6.9+/-1.0gr.	9+/-1.5cc	1.030+/-0.015	.730+/-0.020	1.410+/-0.015	1.020+/-0.015	.408+/-0.015	.33 x 4.40"	1680
1/4 oz	33mm	PS/PP	7.5+/-1.0gr.	9+/-1.5cc	1.030+/-0.015	.730+/-0.020	1.410+/-0.015	1.020+/-0.015	.408+/-0.015	.33 x 4.25"	1680
1/2 oz	48mm	PP/PP	13.1+/-1.0gr.	19+/-3cc	1.264+/-0.015	.800+/-0.020	2.035+/-0.015	1.370+/-0.015	.408+/-0.015	.49 x 6.18"	603
1/2 oz	48mm	PS/PP	14.6+/-1.0gr.	19+/-3cc	1.275+/-0.015	.810+/-0.020	2.035+/-0.015	1.375+/-0.015	.408+/-0.015	.49 x 6.21"	603
1 oz	53mm	PP/PP	17.5+/-1.5gr.	54+/-3cc	1.580+/-0.015	1.200+/-0.015	2.200+/-0.015	1.855+/-0.015	.408+/-0.015	.81 x 6.62"	660
1 oz	53mm	PS/PP	18.5+/-1.5gr.	54+/-3cc	1.590+/-0.015	1.200+/-0.015	2.200+/-0.015	1.855+/-0.015	.408+/-0.015	.87 x 6.87"	660
2 oz	58mm	PP/PP	21.5+/-2.0gr.	75+/-4cc	1.940+/-0.020	1.520+/-0.020	2.335+/-0.015	1.970+/-0.015	.408+/-0.015	1.12 x 7.06"	288
2 oz	58mm	PS/PP	23.5+/-1.5gr.	75+/-4cc	1.955+/-0.015	1.520+/-0.020	2.345+/-0.015	1.970+/-0.015	.408+/-0.015	1.12 x 7.18"	288
4 oz	70mm	PP/PP	38.0+/-1.5gr.	142+/-7cc	2.410+/-0.015	1.950+/-0.015	2.900+/-0.015	2.500+/-0.015	.408+/-0.015	1.56 x 8.75"	165
6 oz	70mm	PP/PP	42.2+/-2.5gr.	208+/-5cc	3.042+/-0.015	2.677+/-0.015	2.913+/-0.015	2.512+/-0.015	.408+/-0.015	2.17 x 8.80"	132
6 oz	83mm	PP/PP	43.0+/-1.5gr.	220+/-7cc	2.470+/-0.020	2.055+/-0.015	3.400+/-0.020	2.990+/-0.015	.489+/-0.015	1.50 x 10.37"	168
6 oz	83mm	PS/PP	47.0+/-2.0gr.	220+/-7cc	2.500+/-0.015	2.055+/-0.015	3.420+/-0.015	2.990+/-0.015	.483+/-0.015	1.67 x 10.52"	168
8 oz	89mm	PP/PP	56.2+/-3.0gr.	280+/-14cc	2.650+/-0.020	2.247+/-0.015	3.650+/-0.020	3.220+/-0.020	.515+/-0.015	1.69 x 11.25"	120
8 oz	89mm	PS/PP	57.8+/-3.0gr.	280+/-14cc	2.660+/-0.020	2.247+/-0.015	3.660+/-0.020	3.220+/-0.020	.515+/-0.015	1.69 x 11.25"	120
10 oz	89mm	PS/PP	65.0+/-2.0gr.	306+/-31cc	2.980+/-0.020	2.554+/-0.015	3.700+/-0.015	3.230+/-0.015	.535+/-0.015	2.00 x 11.37"	80
12 oz	89mm	PP/PP	75.5+/-3.8gr.	375+/-7cc	3.490+/-0.015	3.074+/-0.015	3.678+/-0.015	3.218+/-0.015	.535+/-0.015	2.50 x 11.31"	100

* Please contact us on artwork layout.

IntraPac reserves the right to change or modify the design of its products without any obligation to provide notification of change or intent to change.

