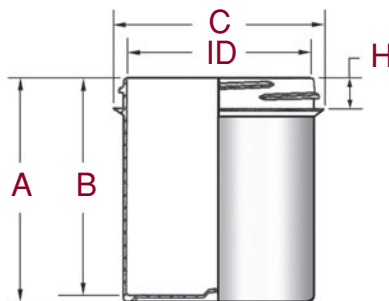


IntraPac Plastic Jars

Straight Based Single Wall Jars

IntraPac Straight Based Single Wall Jars are offered in the sizes as indicated in the chart. Please refer to both the drawing and chart for specific dimensions for each size.



Straight Based Single Wall Jars

Size	Neck	Material	Gram Wt	OFC	A	B	C	ID	H	*Deco Area	Pcs/Carton
1/2 oz	33mm	PP	4.1+/-1.0gr.	15+/-1.5cc	1.168+/-0.015	1.051+/-0.015	1.143+/-0.015	1.051+/-0.015	.403+/-0.015	.48 x 3.12"	1300
7/8 oz	33mm	PP	7.7+/-1.0gr.	25+/-1.5cc	1.944+/-0.015	1.838+/-0.015	1.253+/-0.012	1.046+/-0.015	.374+/-0.015	1.31 x 3.62"	1000
1 oz	43mm	PP	7.3+/-1.0gr.	38+/-3cc	1.580+/-0.015	1.480+/-0.020	1.690+/-0.015	1.435+/-0.015	.403+/-0.015	.81 x 4.62"	756
1 oz	43mm	PS	8.3+/-1.0gr.	40+/-3cc	1.590+/-0.015	1.500+/-0.020	1.710+/-0.015	1.440+/-0.015	.403+/-0.015	.81 x 4.62"	
1-1/2 oz	48mm	PP	11.3+/-1.0gr.	59+/-3cc	1.845+/-0.015	1.723+/-0.015	1.960+/-0.020	1.646+/-0.015	.403+/-0.015	1.00 x 5.37"	468
2 oz	43mm	PP	11.0+/-1.0gr.	69+/-3cc	2.670+/-0.015	2.588+/-0.015	1.630+/-0.015	1.450+/-0.015	.403+/-0.015	2.00 x 4.75"	420
2 oz	43mm	PS	13.5+/-1.0gr.	70+/-3cc	2.696+/-0.015	2.618+/-0.015	1.654+/-0.015	1.165+/-0.015	.403+/-0.015	2.00 x 4.75"	420
2 oz	48mm	PP	13.2+/-1.0gr.	75+/-5cc	2.325+/-0.015	2.205+/-0.015	1.948+/-0.015	1.650+/-0.020	.393+/-0.015	1.43 x 5.37"	420
2 oz	48mm	PS									420
2 oz	53mm	PP	10.3+/-1.0gr.	75+/-4cc	1.798+/-0.015	1.700+/-0.015	2.065+/-0.015	1.866+/-0.015	.408+/-0.015	1.00 x 6.00"	630
2 oz	53mm	PS	12.2+/-1.0gr.	78+/-4cc	1.816+/-0.015	1.710+/-0.015	2.084+/-0.015	1.880+/-0.015	.408+/-0.015	1.00 x 6.00"	630
4 oz	58mm	PP	17.0+/-1.5gr.	135+/-5cc	2.775+/-0.015	2.665+/-0.015	2.250+/-0.020	2.015+/-0.015	.408+/-0.015	1.93 x 6.43"	216
4 oz	58mm	PS	19.5+/-1.0gr.	137+/-5cc	2.800+/-0.015	2.691+/-0.015	2.270+/-0.015	2.030+/-0.015	.408+/-0.015	1.93 x 6.50"	216
4 oz	70mm	PP	19.5+/-1.5gr.	174+/-7cc	2.280+/-0.020	2.170+/-0.020	2.690+/-0.015	2.520+/-0.015	.408+/-0.015	1.50 x 8.12"	273
4 oz	70mm	PS	22.0+/-1.5gr.	182+/-7cc	2.290+/-0.020	2.240+/-0.020	2.722+/-0.015	2.550+/-0.015	.408+/-0.015	1.50 x 8.25"	273
6 oz	70mm	PP	22.6+/-1.0gr.	210+/-7cc	2.768+/-0.015	2.637+/-0.015	2.682+/-0.015	2.513+/-0.015	.408+/-0.015	2.00 x 8.00"	210
6 oz	70mm	PS	25.8+/-1.5gr.	218+/-7cc	2.800+/-0.020	2.730+/-0.015	2.720+/-0.020	2.535+/-0.015	.408+/-0.015	2.00 x 8.06"	210
7 oz	70mm	PP	29.0+/-1.5gr.	217+/-7cc	3.030+/-0.020	2.942+/-0.020	2.680+/-0.020	2.460+/-0.020	.405+/-0.015	2.25 x 7.87"	252
8 oz	70mm	PP	27.0+/-2.0gr.	268+/-7cc	3.500+/-0.020	3.450+/-0.020	2.685+/-0.015	2.515+/-0.015	.408+/-0.015	2.75 x 8.10"	195
8 oz	70mm	PS	31.0+/-2.0gr.	278+/-7cc	3.540+/-0.020	3.480+/-0.020	2.724+/-0.015	2.530+/-0.015	.408+/-0.015	2.75 x 8.19"	195
8 oz	89mm	PP	30.5+/-3.0gr.	321+/-16cc	2.545+/-0.015	2.460+/-0.020	3.446+/-0.015	3.255+/-0.015	.535+/-0.015	1.50 x 10.37"	161
8 oz	89mm	PS	34.5+/-2.0gr.	334+/-12cc	2.567+/-0.015	2.510+/-0.020	3.500+/-0.020	3.285+/-0.015	.535+/-0.015	1.50 x 10.43"	161
16 oz	89mm	PP	40.5+/-2.0gr.	491+/-10cc	3.790+/-0.020	3.710+/-0.020	3.530+/-0.020	3.280+/-0.015	.535+/-0.015	2.87 x 10.37"	60
16 oz	89mm	PS	46.0+/-2.0gr.	513+/-10cc	3.830+/-0.020	3.745+/-0.020	3.560+/-0.020	3.300+/-0.015	.535+/-0.015	2.87 x 10.68"	60
16 oz Snap Jar	89mm	PP	27.5+/-1.5gr.	480+/-6cc	3.695+/-0.015	3.652+/-0.020	3.395+/-0.015	3.260+/-0.015	n/a	3.30 x 10.67"	156
18 oz	89mm	PP	50.1+/-2.5 gr.	585+/-30cc	4.453+/-0.015	4.370+/-0.020	3.525+/-0.015	3.280+/-0.015	.535+/-0.015	3.450+/-10.24"	92

* Please contact us on artwork layout.



IntraPac reserves the right to change or modify the design of its products without any obligation to provide notification of change or intent to change.

For more information visit us at www.intrapacgroup.com